

# TR002-BR 275x500

Height: 275

Width: 500

Depth: 315

Weight HO: 4.5 kg

EO: 6.5 kg

Tube  $\phi$  : 25.4

Pipe Centres: 425

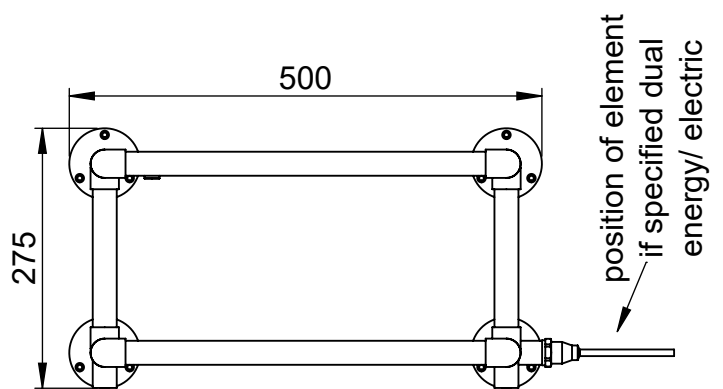
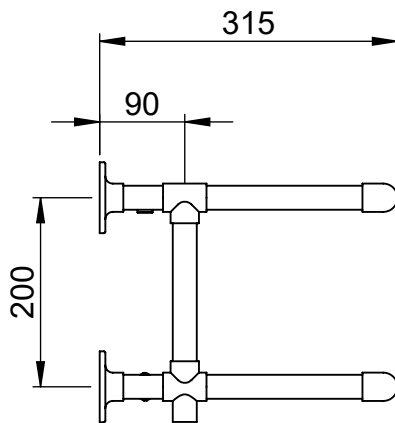
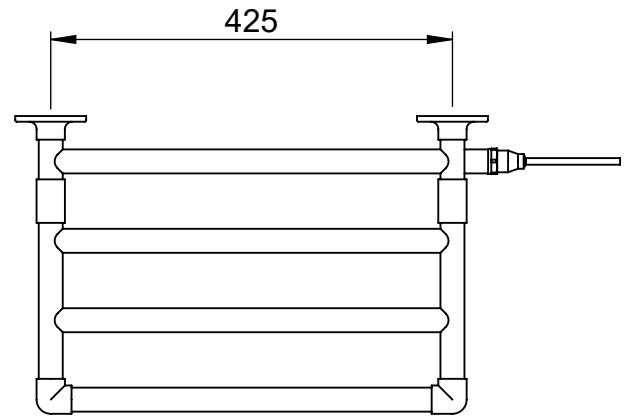
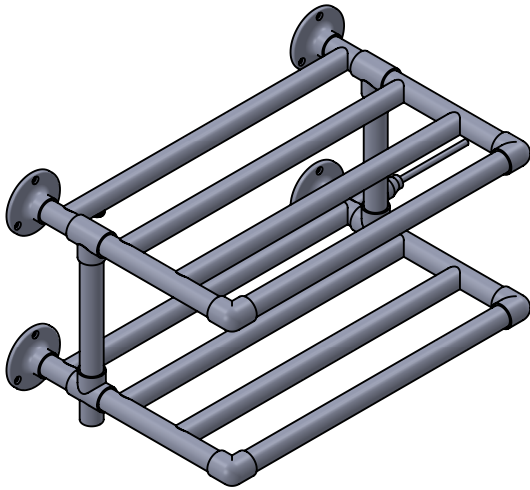
Elec. element if specified: 75

Output @ 50° C  $\Delta$  T Watts: 224

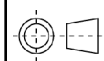
BTUs: 764

All dimensions in millimetres

Manufactured from ISO/CEN CuZn36As (BS CZ126) brass tube



Vogue UK Ltd. reserve the right to alter specifications without prior notice.  
ALL MEASUREMENTS ARE NOMINAL DIMENSIONS ONLY, AND ARE NOT BINDING.



SCALE 1:8

**VOGUE**  
TOWEL WARMERS & RADIATORS

Strawberry Lane, Willenhall  
West Midlands WV13 3RS  
Tel: 01902 387000 Fax: 01902 387001  
e-mail:sales@vogueuk.co.uk www.vogueuk.co.uk